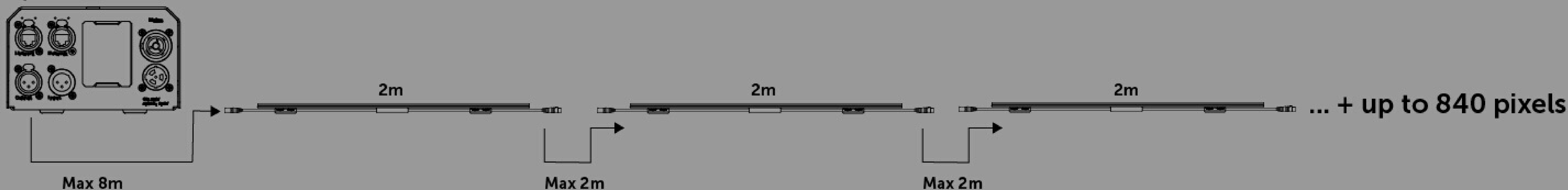


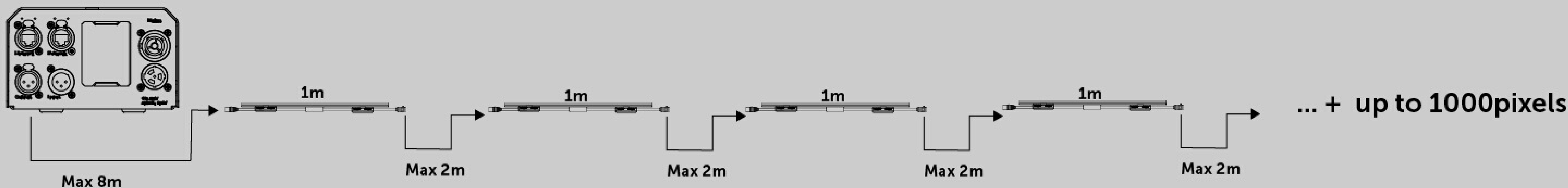
1

When using only 2m long LEDBLADE ledstripe units in your setup, use them up to 840 pixels on the output for stable operation. This is necessary due to higher power consumption and the longer cabling of the ledstripe units. Maximum system length - from the output to the end - is 34 meters, with additional 'SIGNAL BOOSTER' expandable to 38 meters.



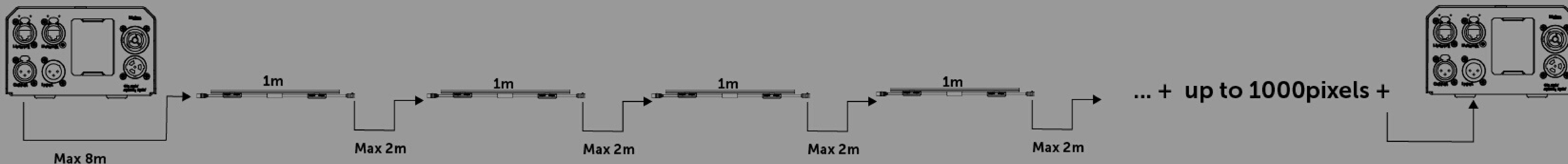
2

For all other cases, use the LEDBLADE ledstripe units up to 1000 pixels on the output for stable operation. Maximum system length – cables and units – is 40 meters.

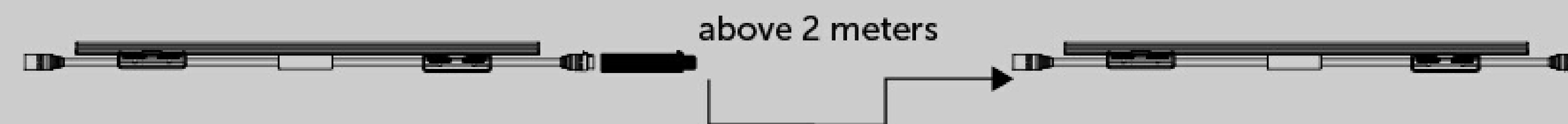


3

For all other cases, when targeting 1000 pixels on the output for stable operation, maximum system length – cables and units – is expandable with the use of an additional 'CRE:ON HD' unit (switched to 'Bypass' mode) or a 'LEDBLADE Power Supply Unit' (LB-PSU).



HOW CAN I USE LONGER CABLES THAN 2m?



If you need longer cables between the ledstripe units, we suggest to use our 'SIGNAL BOOSTER' (LB-SAMP) and/or an additional 'Power Supply Unit' or 'CRE:ON HD' unit set in 'Bypass' mode. This maximum system length can reach up to 100 meters with 1000 pixels on the output in total.