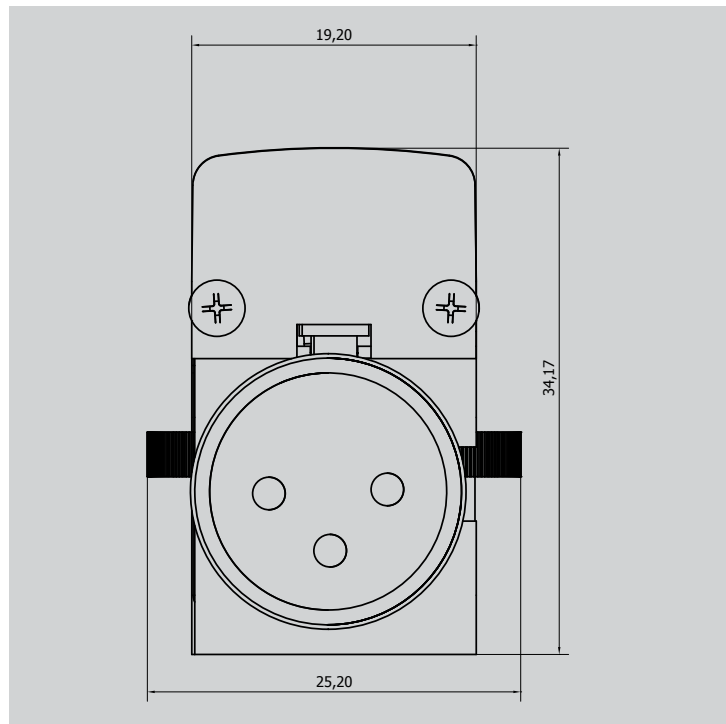


## LEDBLADE STRAIGHT UNITS

### LEDBLADE - 16 mm



<b>LENGTHS</b>	500 mm, 1000 mm, 2000 mm
<b>WIDTH</b>	34 mm incl. connector 19.5 mm
<b>HEIGHT</b>	300 g, 480 g, 720 g
<b>WEIGHTS</b>	Black
<b>FIXTURE COLOR</b>	16 mm (60 pixels/m)
<b>PIXEL PITCH</b>	3400 Nit
<b>CLEAR COVER</b>	2670 Nit
<b>FROSTED FILTER</b>	850 Nit
<b>*BLACK COVER</b>	
<b>*BLACK + FROSTED FILTER</b>	640 Nit
<b>VIEWING ANGLE</b>	150°
<b>LED CONFIGURATION</b>	RGB, SPI, SMD 5050
<b>LIFETIME</b>	50,000 hours
<b>CONNECTOR</b>	3-pin XLR
<b>AMBIENT TEMP.</b>	-20 °C to +50 °C
<b>AMBIENT HUM.</b>	10 - 90 %RH
<b>COLORS</b>	16.5 M (3x8 bit)
<b>MOUNTING</b>	Multiple movable holders on track



### ID generated for straight units:

LB-i0516\_50

LB- "i -indoor, o -outdoor" "length in meter"  
"pixelpitch" \_ "pixel no"

### TYPES:

16 mm indoor

0.5 m - Product ID: LB-i0516\_30

1 m - Product ID: LB-i116\_60

2 m - Product ID: LB-i216\_120

16 mm outdoor

0.5 m - Product ID: LB-o0516\_30

1 m - Product ID: LB-o116\_60

2 m - Product ID: LB-o216\_120